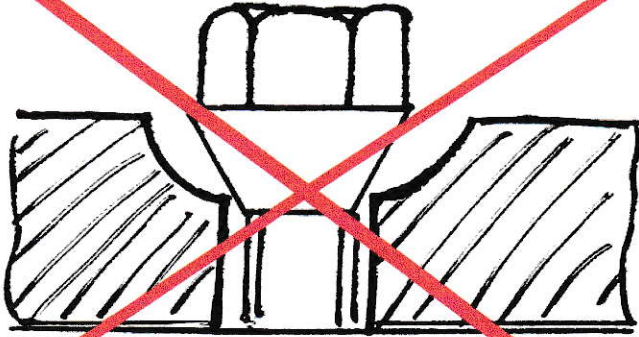


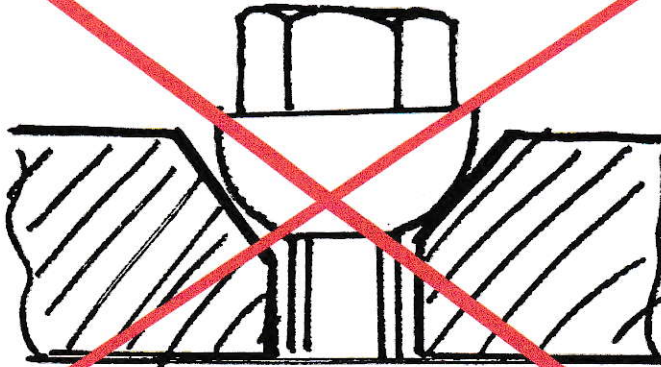


**CORRECT  
STUDS/NUTS**

**(length, con/ball**



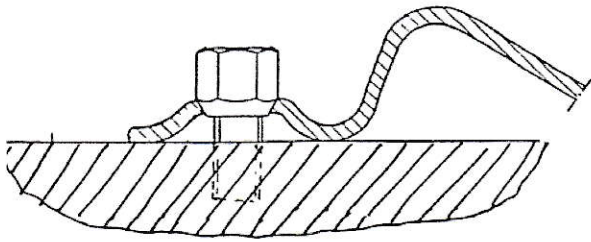
**Wrong**



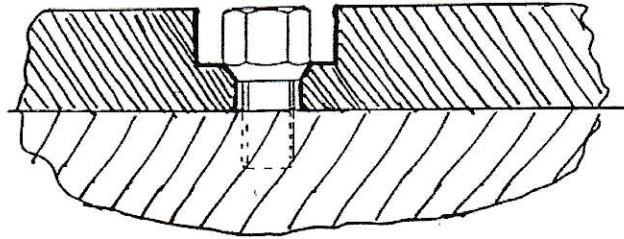
**Wrong**



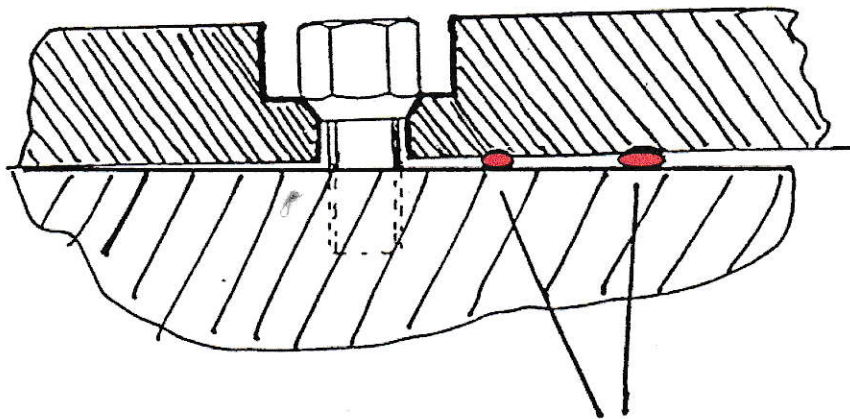
# CLEAN RIM BASE



STEEL



ALLOY

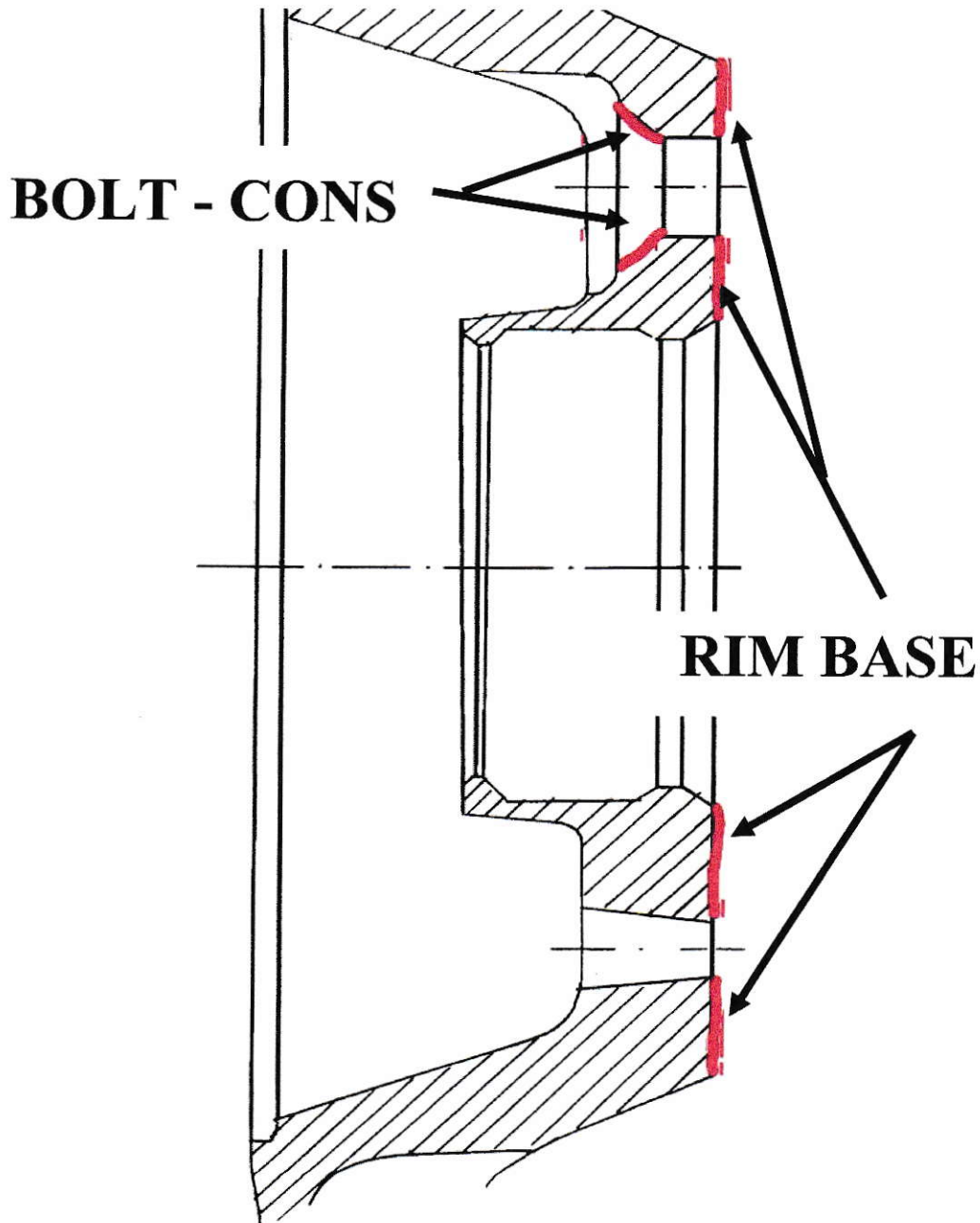


SAND, RUST OR SIMILAR



# CLEAN RIM/CONE BASE

**PREVENT PAINT, RUST, OIL ON:**





# CONTACT CORROSION

